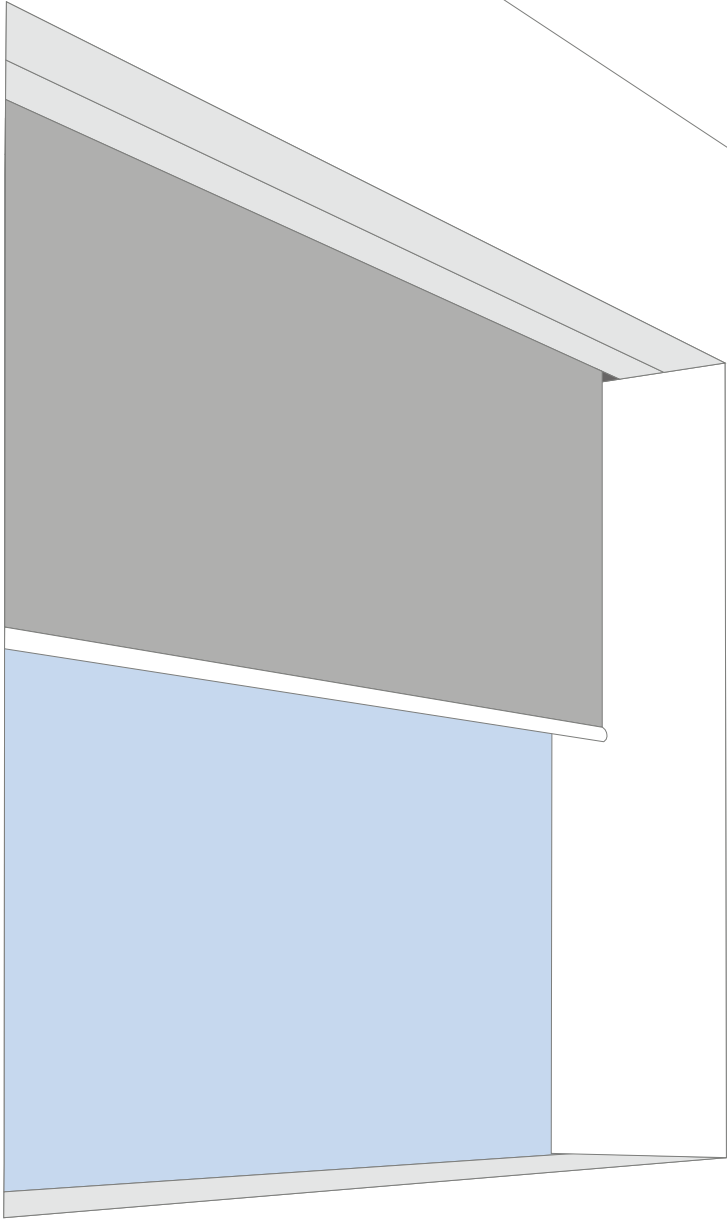


INSTALLING BLINDSPACE®
HEADBOX WITH TWO FLANGES

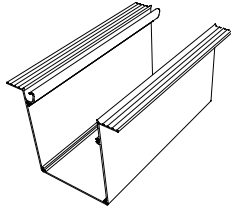


INSTALLING BLINDSPACE®

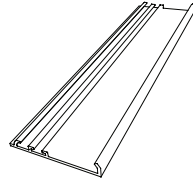
HEADBOX WITH TWO FLANGES

NOTE: Millimeter precision is important for perfect end result. Boxes must be securely attached within ceiling or wall. System fixings are never supplied by Blindspace, installer to ensure their fixing are suitable. Flange attachments vary between models.

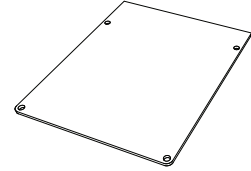
PARTS



Box with two Flanges



Cover



End cap



Splice Pins

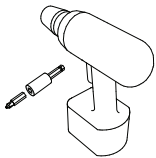


Splice Plates

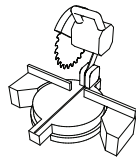


Hole Grommet

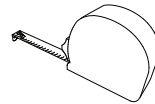
TOOLS



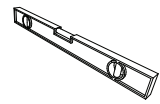
Screw Driver/Driller



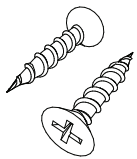
Power Chop Saw



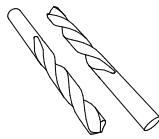
Tape Measure



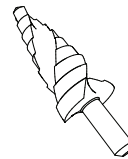
Spirit Level



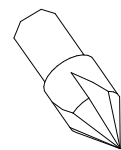
Countersunk Screws



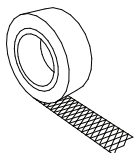
Drill Bits



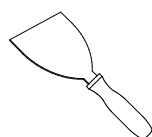
Stepped Drill Bit



Countersink Drill Bit



Scrim Tape



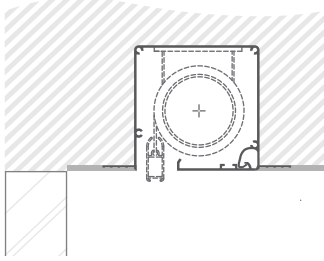
Scraper

INSTALLING BLINDSPACE®

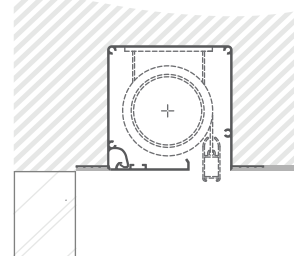
HEADBOX WITH TWO FLANGES

BLIND CONFIGURATION OPTIONS

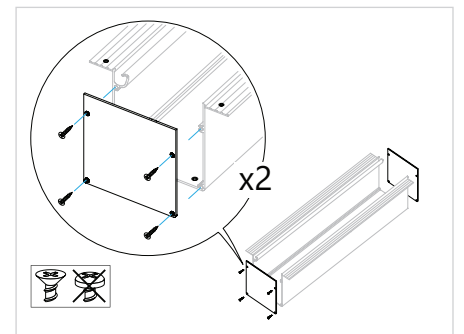
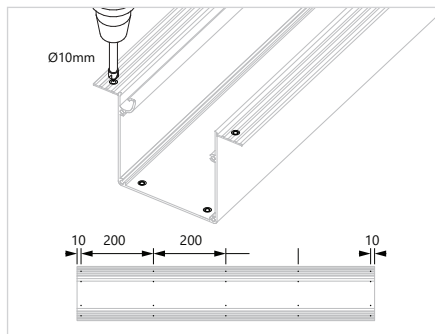
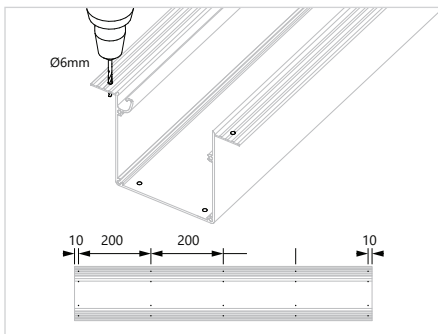
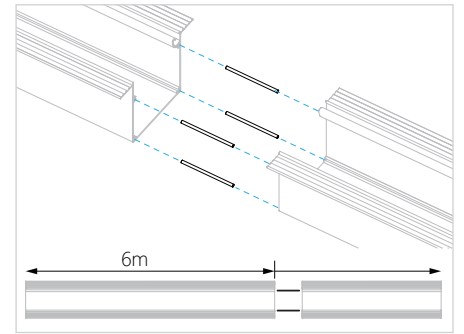
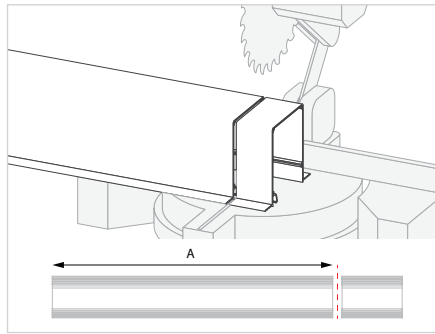
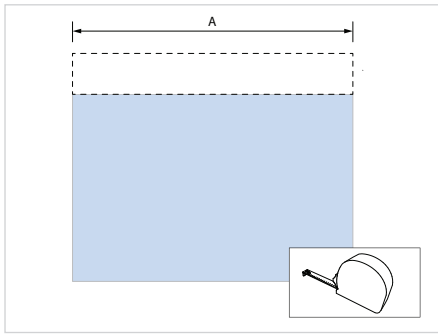
Towards the Window



Towards the Room

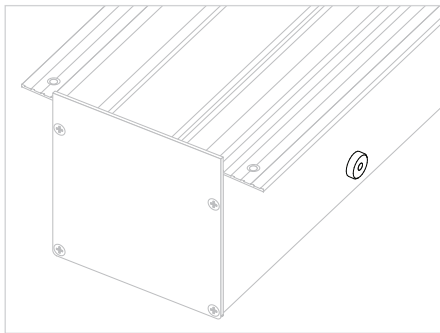
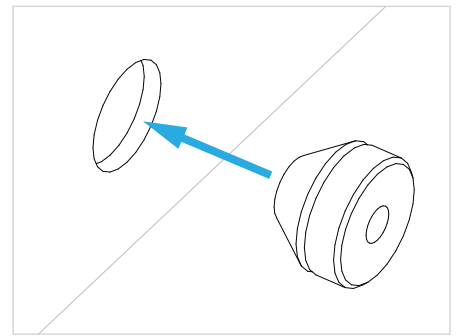
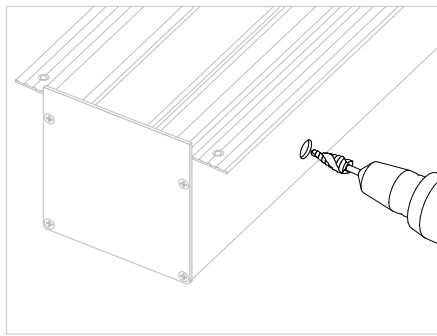
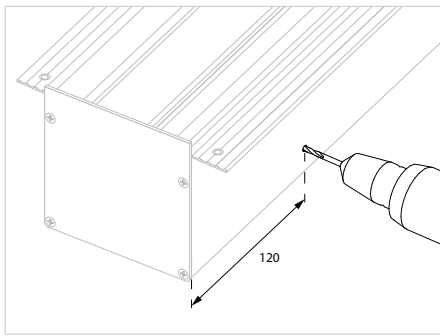


PREPARE THE PRODUCT



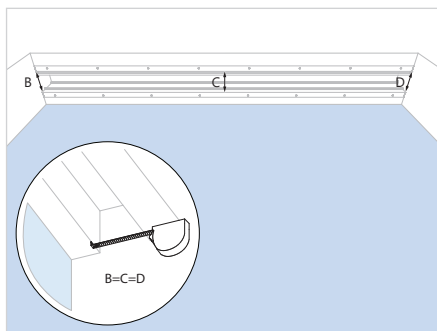
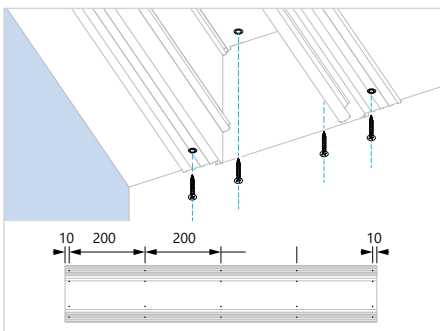
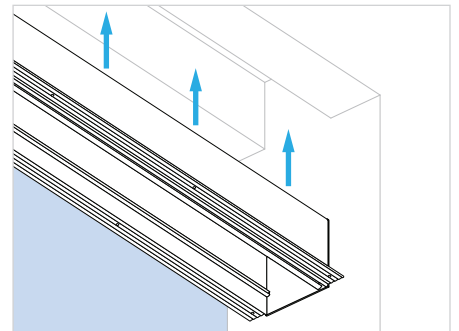
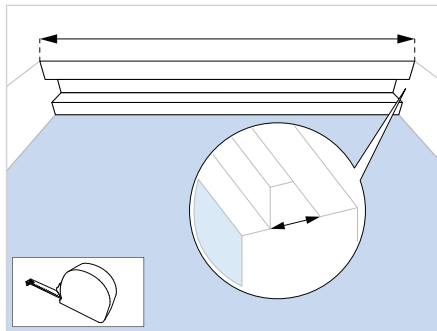
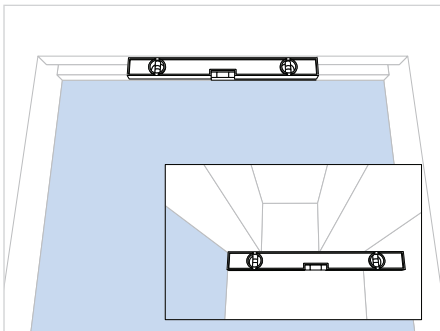
INSTALLING BLINDSPACE® HEADBOX WITH TWO FLANGES

EXAMPLE CABLE ENTRY POSITION



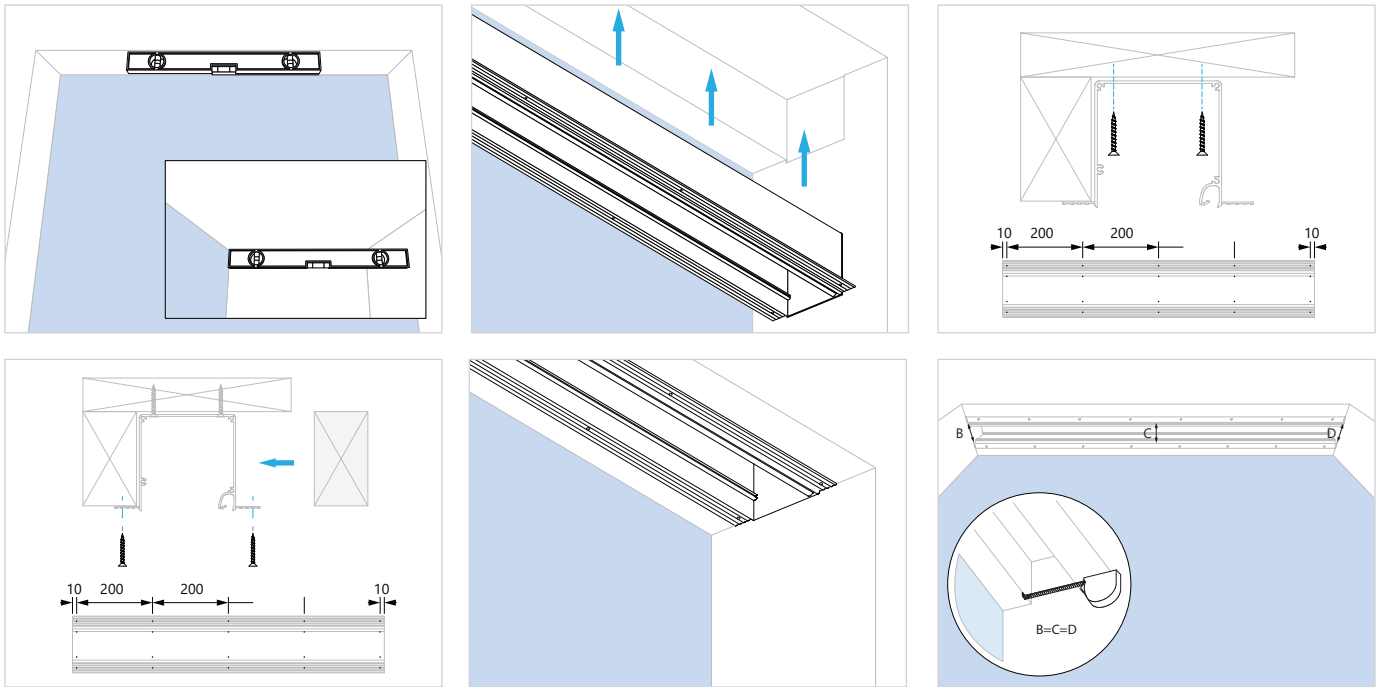
INSTALL HEADBOX

OPTION A: PREPARED POCKET INSTALLATION

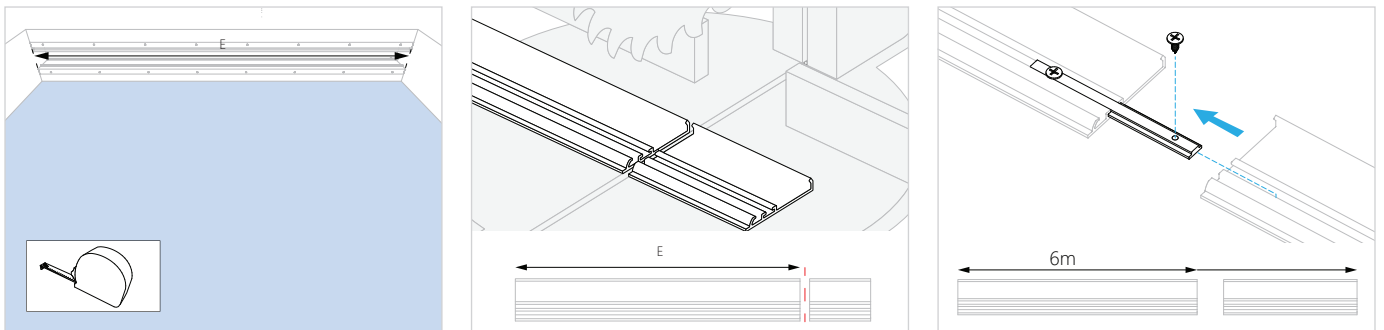


INSTALLING BLINDSPACE® HEADBOX WITH TWO FLANGES

OPTION B: BOX FIRST INSTALLATION



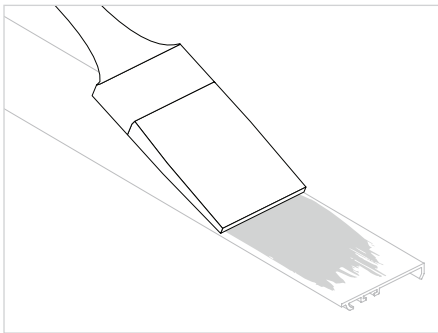
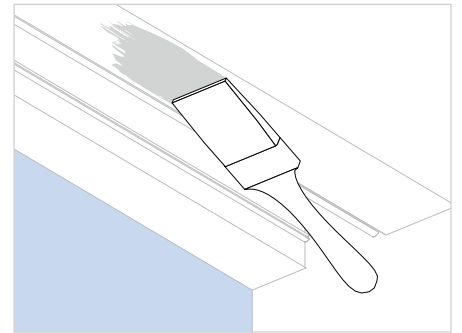
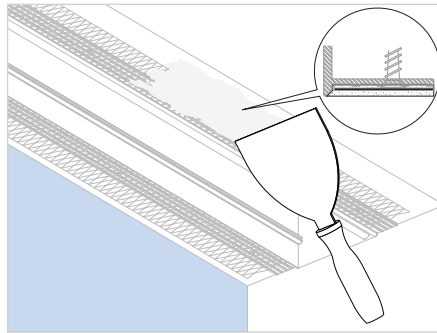
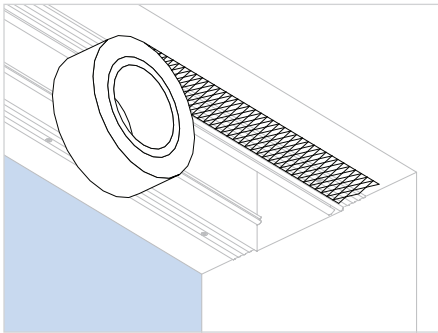
PREPARE COVER



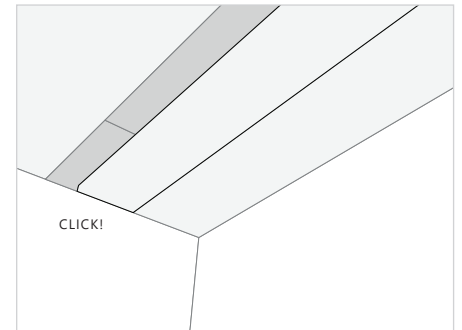
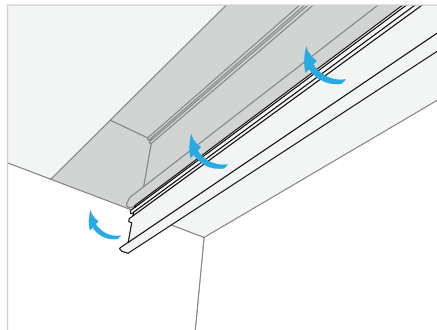
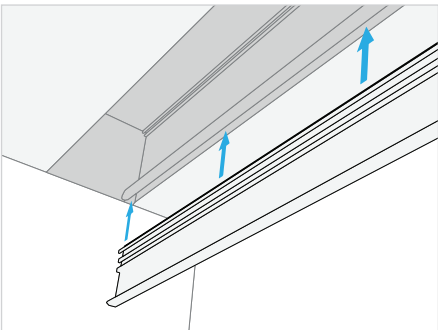
INSTALLING BLINDSPACE®

HEADBOX WITH TWO FLANGES

SKIM COAT AND PAINT



CLOSE BOX



OPEN BOX

